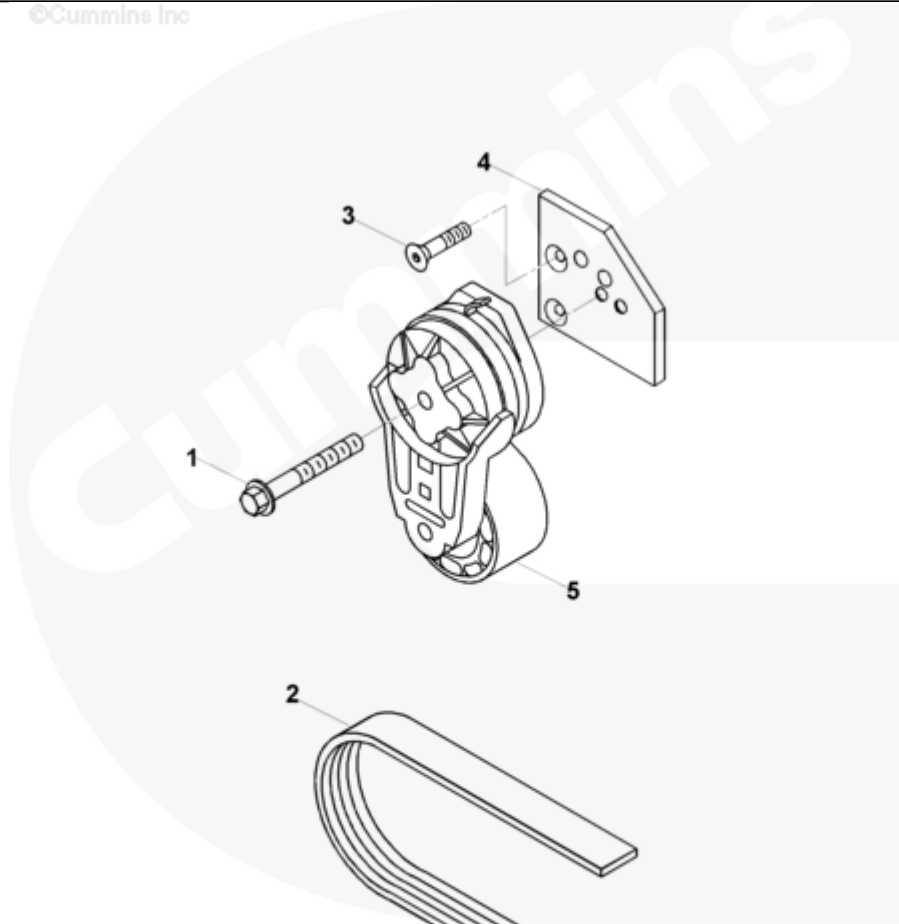




Parts Catalog - Option Detail

Electronic Parts Catalog - Option Detail				
Option	Group	Graphic	Film Card	Date
EH97067	13.02.3	eh962gf	Z	06-APR-05
Engines	6C8.3, C GAS PLUS CM556, G8.3, G8.3 CM558, GTA8.3 CM558, ISC CM2150, ISC CM554, ISC CM850, ISC8.3 CM2250, ISC8.3 G CM2180 C101, ISL CM2150, ISL CM554, ISL CM850, ISL G CM2180, ISL8.9 CM2150 L110, ISL8.9 CM2880 L112, ISL9 CM2150 SN, ISL9 CM2250, ISL9 CM2350 L101, ISL9 CM2350 L111, ISLE4 CM850, L GAS PLUS CM556, L8.9, L8.9 L121, L8.9G CMOH2.0 L125B, L9 CM2350 L116B, L9 CM2350 L119B, L9 CM2350 L120C, L9 CM2350 L123B, L9.3 L105, L9.5 L117, L9N CM2380 L124B, QSC8.3 CM2250, QSC8.3 CM2880 C102, QSC8.3 CM554, QSC8.3 CM850(CM2850), QSL9 CM2250, QSL9 CM2250 L115, QSL9 CM2350 L102, QSL9 CM2350 L107, QSL9 CM2350 L118, QSL9 CM2350 L122, QSL9 CM554, QSL9 CM850(CM2850), QSL9 G CM558, QSL9 M CM2250 L106, QSL9.3 CM2880 L113			



eh962gf

[SMALL](#) | [MEDIUM](#) | [LARGE](#)

Cart	Ref No	Part Number	Part Description	Required	Remarks
View My Cart					
		EH97067	Alternator Drive		Alternator Drive...(More)
					Fan Drive Ratio: 1.10:1
					Fan Center (mm): 343.0
					Tensioner Mounting Holes:
					Single Set
					Tensioner Pulley Type:
					Standard
					Water Pump Pulley Diameter
					(mm): 110.74
					Alternator Pulley Vertical
					From CCL: 4in Hinge
					Belt Supplier: Cummins
					Belt Tensioner Supplier:
					Cummins
					Damper Pulley Effective
					Diameter (mm): 199.42
					Tall Tensioner Bracket: No
					Alternator
					Manufacturer/Model:
					Bosch N-1 Up To 14V/110A
					Bosch N-1 Up To 28V/80A
					Delco Remy 20 SI Up To
					12V/60A
					Delco Remy 20 SI Up To
					24V/60A
					Delco Remy 22 SI 12V/100A
					Delco Remy 22 SI 12V/130A
					Delco Remy 22 SI 12V/160A

					Delco Remy 22 SI 24V/70A
					Delco Remy 33 SI 12V/110A
					Delco Remy 33 SI 24V/75A
					Leece Neville 2300JB Up To
					14V/65A
					Leece Neville 2300JB Up To
					28V/65A
					Leece Neville 2500JB Up To
					14V/100A
					Leece Neville 2500JB Up To
					28V/60A
					Leece Neville 2600JB Up To
					14V/100A
					Leece Neville 2700JB Up To
					14V/130A
					Leece Neville 2800JB Up To
					14V/160A
					Leece Neville 4000 Up To
					14V/100A
					Leece Neville 4000 Up To
					28V/100A
					Maximum Fan Loading: 25.4 KW
					(34 HP)
					Brazil May Use PN 3967188
					Instead Of 3937553.
					Brazil May Use PN3920430
					Instead Of 3289113.
					3937553 Can Be Used Instead
					Of 3978022 In DCEC.
<input type="checkbox"/>	1	3282081	Hexagon Flange Head Cap Screw	1	M10 x 1.50 x 75

<input type="checkbox"/>	2	3289113	V Ribbed Belt	1	
<input type="checkbox"/>	3	3925186	Flat Head Cap Screw	2	M8 x 1.25 x 25
<input type="checkbox"/>	4	3926872	Belt Tensioner Bracket	1	
	5	3978022	Belt Tensioner	1	

© 2019 Cummins Inc., Box 3005, Columbus, IN 47202-3005 U.S.A.
Terms of Use and Disclaimers | Recommended System Requirements
Need Assistance? Please click on the Contact Us button in the top right corner of any page.